

KLT-OIS-USB3A-AF-IMX258 V3.0

Sony IMX258 Оптическая стабилизация изображения **MGS USB**
Интерфейс Автофокус 13MP Модуль камеры
 Платформа оптической стабилизации изображения (OIS)



№ модуля камеры	KLT-OIS-USB3A-AF-IMX258 V3.0	
Датчик изображений	IMX258	Output Format: MJPG
Stabilizer	Стабилизатор Micro Gimbal(MGS)	10 FPS 4192 x 3104 (Full Frame)
EFL	3.05 mm	20 FPS 3840 x 2160 (4K)
F.NO	2.2	25 FPS 1920 x 1080 (1080P)
Пиксель	4224 x 3192	Supporting OS
Угол обзора	87.6°(D) 74.9°(H) 59.4°(V)	Windows 10, 8.1, 7, XP, Vista
Тип линзы	1/3.06 дюйм	Windows XP SP2 under UVC
Размеры линз	19.00 x 19.00 x 9.90 mm	Linux Kernel V2.6.2.1 or later
Размер модуля	72.00 x 35.80 mm	MAC OS 10.4 or later
Тип модуля	Автофокус	Operating Voltage: 5V +/- 5%
Интерфейс	USB	Compliant with UVC Version 1.0

Соединительный USB-кабель Деталь No. KLT-USB6A-Cable



Удлинитель кабеля USB. Продано отдельно.

[Product Brief]

Ver.1.0

IMX258

Diagonal 5.867 mm (Type 1/3.06) 13Mega-Pixel CMOS Image Sensor with Square Pixel for Color Cameras

Description

IMX258 is a diagonal 5.867mm (Type 1/3.06) 13 Mega-pixel CMOS active pixel type stacked image sensor with a square pixel array. It adopts Exmor RSTM technology to achieve high speed image capturing by column parallel A/D converter circuits and high sensitivity and low noise image (comparing with conventional CMOS image sensor) through the backside illuminated imaging pixel structure. R, G, and B pigment primary color mosaic filter is employed. By introducing spatially multiplexed exposure technology, high dynamic range still pictures and movies are achievable. It

equips an electronic shutter with variable integration time. It operates with three power supply voltages: analog 2.7 V, digital 1.2 V and 1.8 V for input/output interface and achieves low power consumption.

In addition, this product is designed for use in cellular phone and tablet pc. When using this for another application, Sony does not guarantee the quality and reliability of product. Therefore, don't use this for applications other than cellular phone and tablet pc. Consult your Sony sales representative if you have any questions.

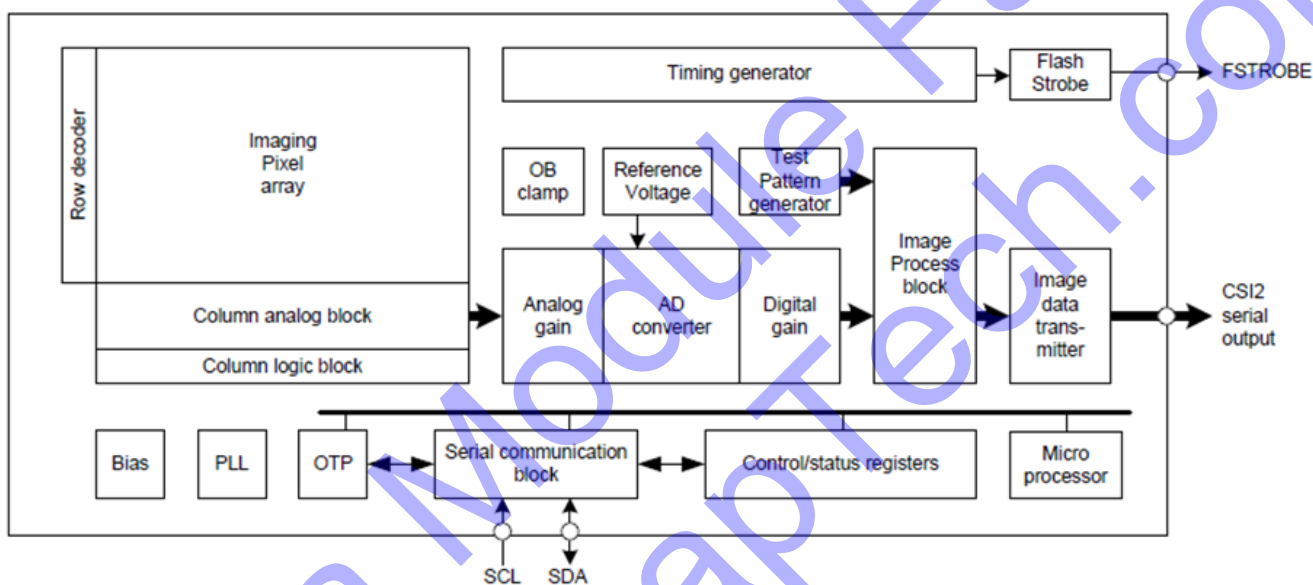
Functions and Features

- ◆ Back-illuminated and stacked CMOS image sensor Exmor RSTM
- ◆ Phase Detection pixel data output for Phase Detection Auto Focus
- ◆ High Dynamic Range (HDR) mode with raw data output.
- ◆ High signal to noise ratio (SNR).
- ◆ Full resolution @30fps (Normal / HDR). 4K2K @30fps (Normal / HDR) 1080p @60fps (Normal)
- ◆ Output video format of RAW10/8.
- ◆ Pixel binning readout and V sub-sampling function.
- ◆ Independent flipping and mirroring.
- ◆ CSI-2 serial data output (MIPI 2lane/4lane, Max. 1.3Gbps/lane, D-PHY spec. ver. 1.1 compliant)
- ◆ 2-wire serial communication.
- ◆ Two PLLs for independent clock generation for pixel control and data output interface.
- ◆ Dynamic Defect Pixel Correction.
- ◆ Fast mode transition. (on the fly)
- ◆ Dual sensor synchronization operation.
- ◆ 4K bit of OTP ROM for users.
- ◆ Built-in temperature sensor.

Device Structure

- ◆ CMOS image sensor
- ◆ Image size : Diagonal 5.867 mm (Type 1/3.06)
- ◆ Total number of pixels : 4224 (H) × 3192 (V) approx. 13.48 M pixels
- ◆ Number of effective pixels : 4224 (H) × 3144 (V) approx. 13.28 M pixels
- ◆ Number of active pixels : 4208 (H) × 3120 (V) approx. 13.13 M pixels
- ◆ Chip size : 5.990 mm (H) × 3.908 mm (V)
- ◆ Unit cell size : 1.12 μm (H) × 1.12 μm (V)
- ◆ Substrate material : Silicon

System block diagram



Exmor RS

* Exmor RS is a trademark of Sony Corporation. The Exmor RS is a Sony's CMOS image sensor with high-resolution, high-performance and compact size by replacing a supporting substrate in Exmor R™ which changed fundamental structure of Exmor™ pixel adopted column parallel A/D converter to back-illuminated type, with layered chips formed signal processing circuits.